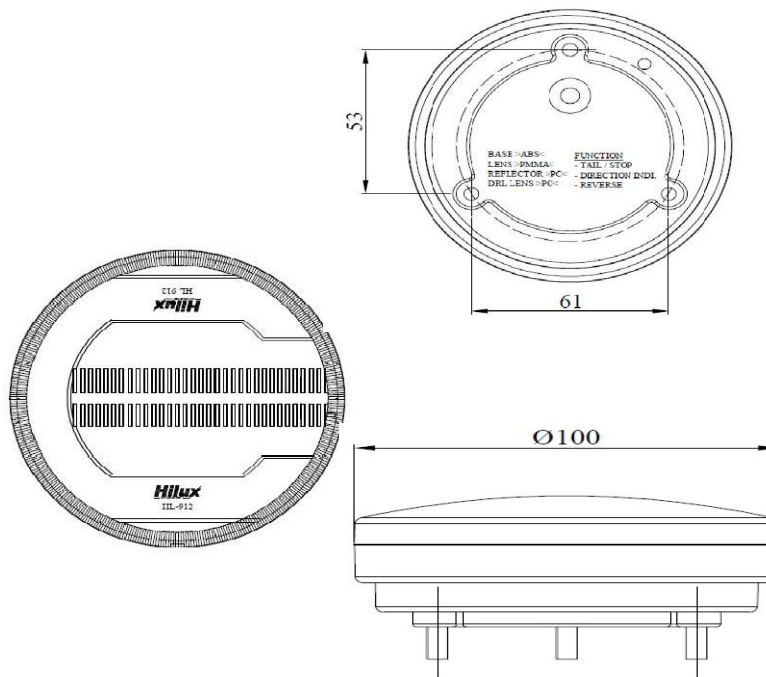


HL-912

4" Rear Combination Lamp

STOP/ REAR INDICATOR/ POSITION/ REVERSE



HL 912-C CLEAR-REVERSE LAMP

HL 912-R REDSTOP/POSITION LAMP

HL 912-A AMBER DIRECTION LAMP

Tech Details

Material:

- Acrylic lens
- ABS base
- Reflector – PC Metalize

Voltage:

- 8 V – 30 V

Light Source:

- 27 LEDs* 0.5W

Information shown on this drawing may originate from outside the company no manufacture or resourcing should be made without prior consultation with engineering drawing office €

These parts are replacement parts not original parts. Original part numbers are quoted for reference purposes only.