



LT-120

3.9" LED ROUND LAMP STOP / TAIL / INDICATOR / FOG / REVERSE

LED LAMP

Tech Details

Material:

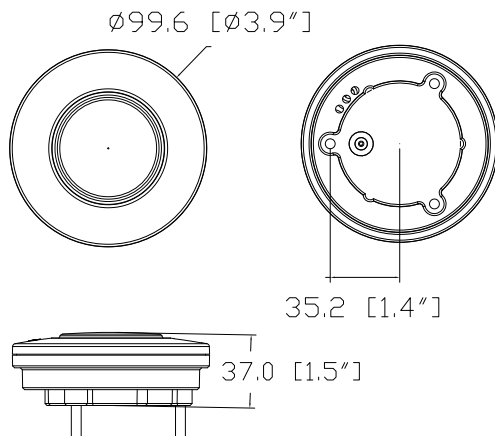
- Acrylic lens
- Compound plastic base

Wiring:

- 10 - 30 V
- Terminals, grommets
- PVC connectors

Light Source:

- 30 LEDs



Information shown on this drawing may originate from outside the company no manufacture or resourcing should be made without prior consultation with engineering drawing office

These parts are replacement parts not original parts.

Original part numbers are quoted for reference purposes only.