



HL-904A TAIL LAMP 3-CHAMBERS

Suitable for

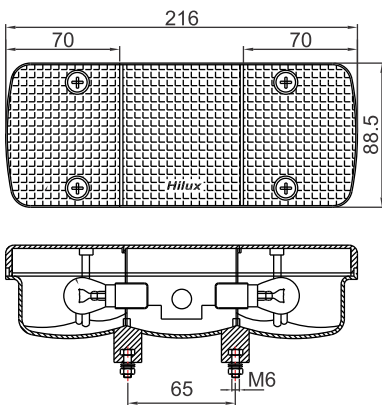
COMBINES [MINI]

TAIL LAMP ASSY.

Tech Details

Bulb Fitment : 12V-21W, 12V-21V/5W

Mounting C.D.: 65 mm



Information shown on this drawing may originate from outside the company no manufacture or resourcing should be made without prior consultation with engineering drawing office

These parts are replacement parts not original parts.

Original part numbers are quoted for reference purposes only.