



HL-501

Suitable for
TRACTORS

SIGNALLING LAMP BULB HOLDER

Tech Details

Dimensions : 95 x 140 mm

Light Function : Spot / Position

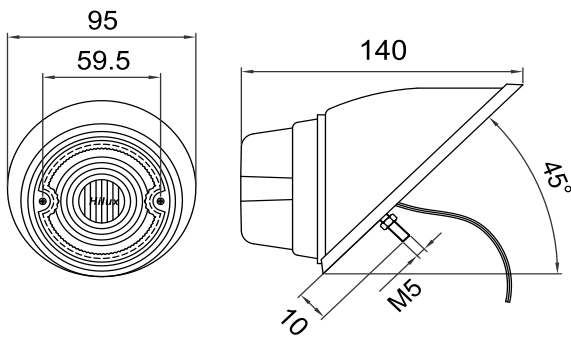
Voltage : 12V-24V DC

IP Rating : IP55

Mounting : MS Bolt

Housing : ABS

Lens : PMMA



Application : Tractors, Combine Harvester

Information shown on this drawing may originate from outside the company no manufacture or resourcing should be made without prior consultation with engineering drawing office

These parts are replacement parts not original parts.

Original part numbers are quoted for reference purposes only.