



## SM807B10-110V

### MICRO DOME BEACON

#### A. 60 SMD5050 Intermittent Flash

---

#### REVOLVING LAMP

---

#### Tech Details

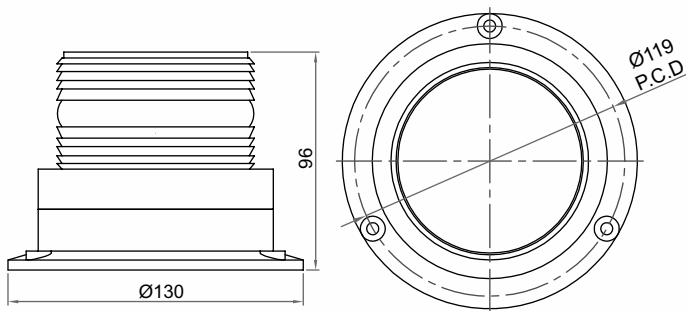
DC 10-110V

Meets IP56 protection standards

-30°C to + 50°C temperature range

With 30CM cable out

Color : Amber / Red / Blue



Information shown on this drawing may originate from outside the company no manufacture or resourcing should be made without prior consultation with engineering drawing office

These parts are replacement parts not original parts.

Original part numbers are quoted for reference purposes only.