



## SM804HB

### MAGNETIC / 3 BOLT MOUNT HIGH PROFILE BEACON

**B. 80 SMD5050**  
**360° Revolving Flash /**  
**Intermittent Flash**

---

#### REVOLVING LAMP

---

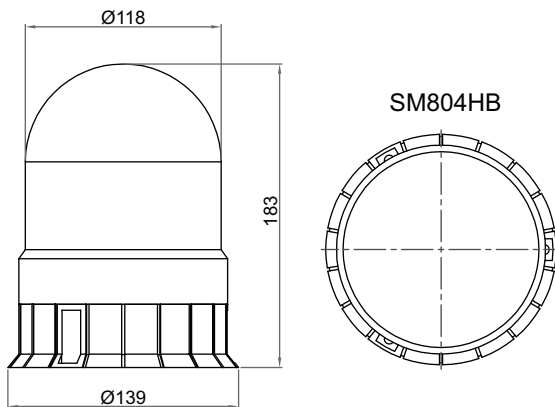
#### Tech Details

DC 12-24V

Meets IP56 protection standards

-30°C to + 50°C temperature range

Color : Amber



Information shown on this drawing may originate from outside the company no manufacture or resourcing should be made without prior consultation with engineering drawing office

These parts are replacement parts not original parts.

Original part numbers are quoted for reference purposes only.