

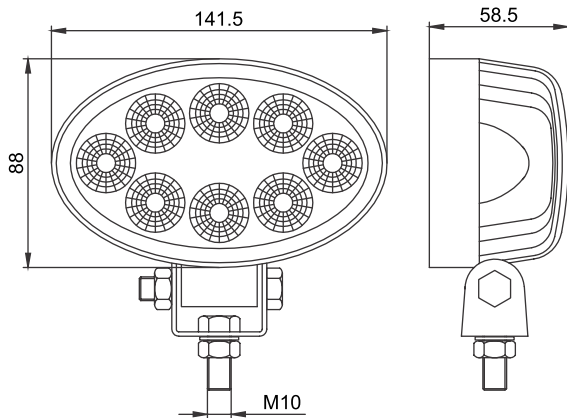


24W POD OVAL

LED WORK LIGHT

Tech Details

LED Chip	Epistar 3W
Voltage	DC 10-30V
Power	24W
Lumens	2400 LM
Color Temp	6500K
Current Draw	1.5@DC 12V
Beam Pattern	Spo
Housing Material	Die Cast Aluminum
Mounting Bracket	Stainless Steel
Lens Material	French Polycarbonate
Surface Finishing	Powder Painting & UV Finishing
IP Grade	IP67 sealed
Shockproof	20G Shock Protected
Dust	Protected
Reverse Polar	Protected
Life Span	30000 hrs

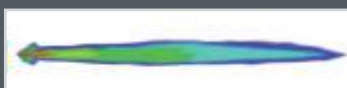


Application: Trucks, Heavy Duty, Tractors, Forklifts, Road Construction, Mining, Drilling, Forestry, Agriculture, Earth Moving etc.

Tech Details

- New generation of LED Light, Oval and super compact design equipped with 8 pcs of 3W Epistar LED which produces 2400 Lumens, rather high output.
- The durable die-cast aluminum housing to stand up to the hardest conditions.
- Unique and special heat sink design on the periphery and the back for superior heat dissipation. To prolong the life of LEDs to its full 50,000 hours potential, that means it never need change bulb again.
- IP67 rate guaranteed, signifying that it is dust-proof and submersion in water up to 1 meter.
- Flexible stainless steel bracket, 360° rotation x 180° tilt.
- 30° Spot for options
- Reverse polar protection & leakage protection.

SPOT



30° Spot for options