



## WS-01

Suitable for  
**ESCORTS / FARMTRAC /  
POWERTRAC  
ALL MODELS**

## WS-02

Suitable for  
**SONALIKA ALL MODELS**

---

### WATER SEPARATOR

---

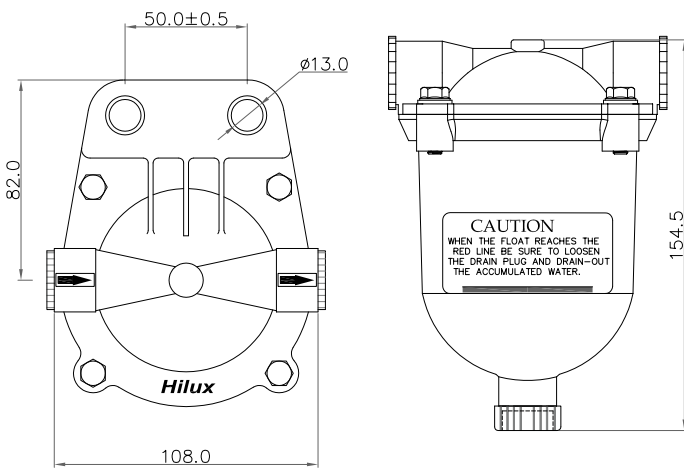
#### Tech Details

Housing : Aluminium Pressure Die Casting  
with Plastic Bowl

Mounting C.D. : 50 mm

Bowl UV Stabilized for 2000 hrs.

Complete Leakproof



Information shown on this drawing may originate from outside the company no manufacture or resourcing should be made without prior consultation with engineering drawing office

These parts are replacement parts not original parts.

Original part numbers are quoted for reference purposes only.