



WS-07

Suitable for
JOHN DEERE TRACTORS
ALL MODELS

WATER SEPARATOR

Tech Details

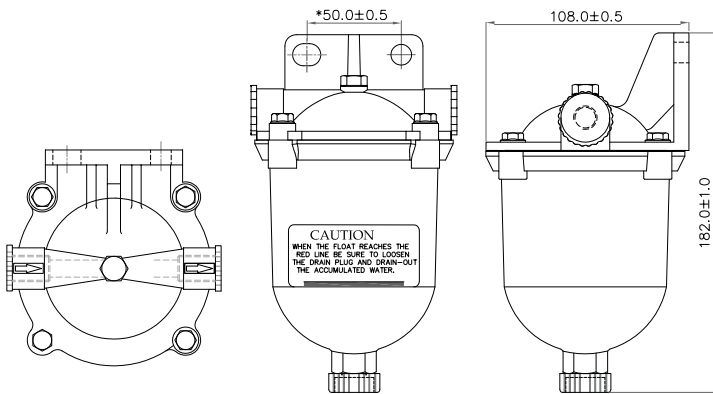
Housing : Aluminium Pressure Die Casting
with Plastic Bowl

Mounting C.D. : 50 mm

Bowl UV Stabilized for 2000 hrs.

Complete Leakproof

Blank Powder coated with Polyester UV
Stabilize Powder



Information shown on this drawing may originate from outside the company no manufacture or resourcing should be made without prior consultation with engineering drawing office

These parts are replacement parts not original parts.

Original part numbers are quoted for reference purposes only.