

M-208

FRONT LAMP HIGH BEAM, LOW BEAM, FRONT POSITION LIGHT



FRONT LAMP

Tech Details

Material:

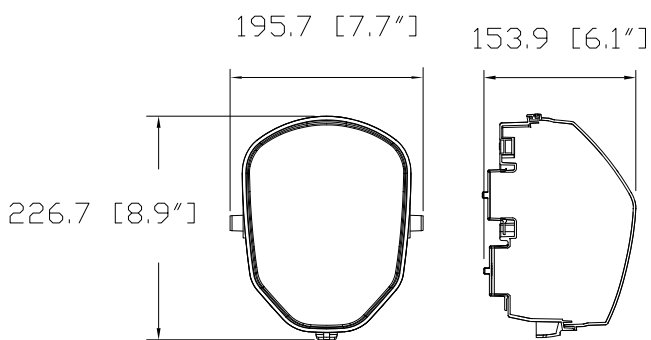
- PC lens
- PP housing

Wiring:

- 12 / 24 V / 10-30 V
- Terminals, grommets
- PVC connectors

Light Source:

- High beam: 1/2 Philips H1 bulbs
- Low beam: 1 H3 bulb
- Front position: 13 LEDs



Information shown on this drawing may originate from outside the company no manufacture or resourcing should be made without prior consultation with engineering drawing office

These parts are replacement parts not original parts.

Original part numbers are quoted for reference purposes only.