

M-320

LED TURN LIGHT FRONT / REAR TURN SIGNAL / DIRECTION INDICATOR

LED TURN LIGHT

Tech Details

Material:

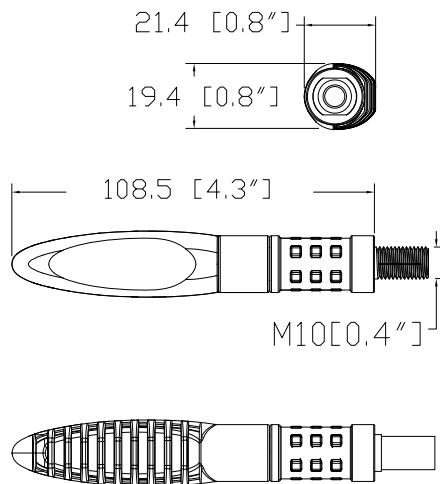
- Acrylic lens
- ABS base
- Rubber handle

Wiring:

- 12 / 24 V
- Terminals

Light Source:

- 3 LEDs



Information shown on this drawing may originate from outside the company no manufacture or resourcing should be made without prior consultation with engineering drawing office

These parts are replacement parts not original parts.

Original part numbers are quoted for reference purposes only.