



## HL-451

### OVAL WORK LAMP ASSY.

---

#### WORK LAMP

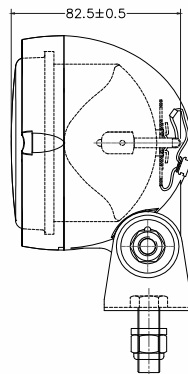
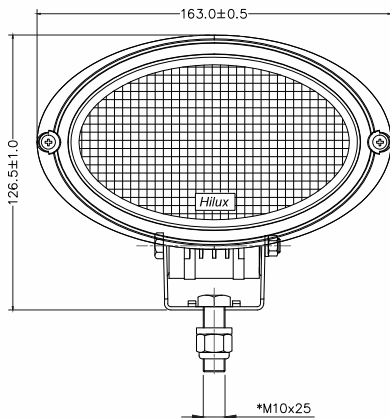
---

#### Tech Details

Bulb Fitment : 12V / 24V

Mounting : M10 Bolt

Housing : High heat resistant GF Nylon, Water and steam resistant



Information shown on this drawing may originate from outside the company no manufacture or resourcing should be made without prior consultation with engineering drawing office

These parts are replacement parts not original parts.

Original part numbers are quoted for reference purposes only.