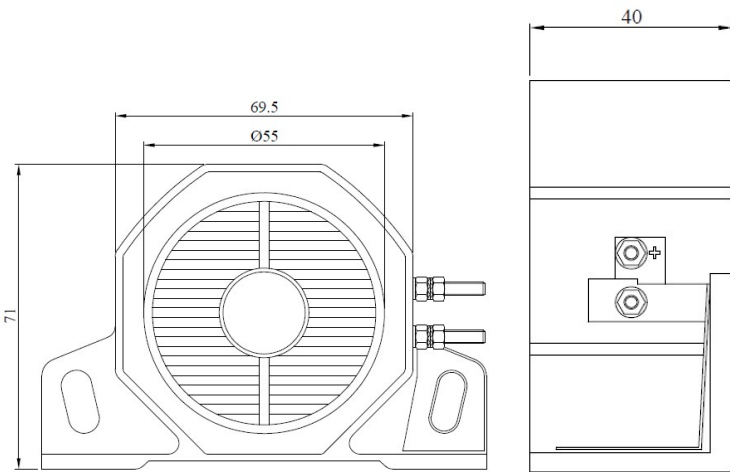




RH - 01

SAFETY REVERSING HORN



- **Waterproof: IP68**
- **Fully Waterproof / Pressure Washable**
- **Reverse Polarity Protected**
- **Nylon Housing**
- **Available with wire, lead or stud connections.**
- **Operating Temperature : - 30°C / +77°C**
- **Voltage Range : 12 – 80V DC**
- **Sound Level @ 1 mtr : 102dB**

Information shown on this drawing may originate from outside the company no manufacture or resourcing should be made without prior consultation with engineering drawing office

These parts are replacement parts not original parts. Original part numbers are quoted for reference purposes only.