



HL-904

TAIL LAMP 4-CHAMBERS for COMBINES [MINI]

TAIL LAMP 4-CHAMBERS

Tech Details

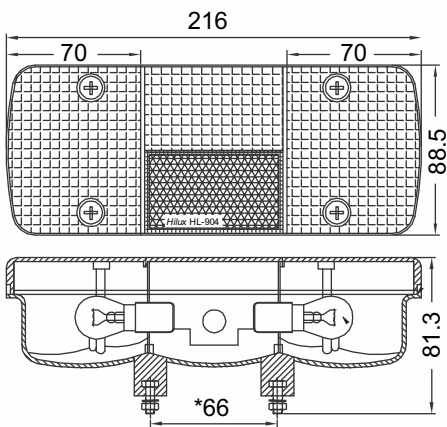
Size : 316 x 88.5 mm

Housing : ABS

Bulb Fitment : 24V-21W / 24V-10W

Lens : PMMA

A.R.A.I. approved



Information shown on this drawing may originate from outside the company no manufacture or resourcing should be made without prior consultation with engineering drawing office

These parts are replacement parts not original parts.

Original part numbers are quoted for reference purposes only.